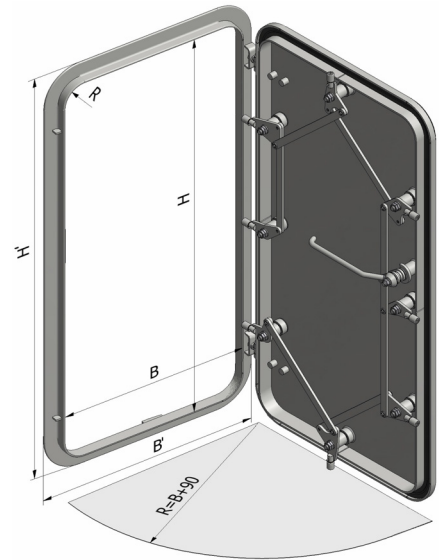


# WEATHERTIGHT SHIP DOOR

TYPE BOH.0135

## PURPOSE

The weathertight ship door is designed for mounting in walls of ship's superstructures.



## CHARACTERISTICS

The door can be made of steel, aluminum or stainless steel. Pins of closures are settled in steel sleeves. Hinge pins are made of stainless steel. Closures and hinges have holes for M10x1 grease nipples acc. to DIN 3404 or DIN 71412 M10x1. The door is sealed up with a 40x20 rubber packing cord.

## STANDARD PAINTING

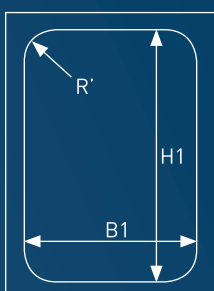
Steel door blade: EPINOX 77 (2x130µm, gray).  
 Steel door frame: HEMPEL SHOPPRIMER ZS 15809 (15±20µm, gray).  
 Doors with insulation under cover: EPINOX 77 (2x130µm, gray).  
 Optional: steel door blade:  
 primer – HEMPEL HEMPADUR MASTIC 45880/45881 (grey),  
 topcoat – HEMPEL HEMPADUR MASTIC 45880/45881 (RAL color).  
 Steel door frame: HEMPEL SHOPPRIMER ZS 15809 (15±20µm, gray).

## LOCK TYPES

- Z0** – with padlock fastening
- Z3** – with stainless steel RIM LOCK AND HANDLE acc. DIN 81311
- Z4** – with stainless steel RIM LOCK acc. DIN 81312
- Z7** – with 5341/8/5390 lock (TrioVing)
- Z8** – with 5312/8/5390 lock (TrioVing)

## ACCESSORIES

- H2** – with hook 200 mm long
- H3** – with hook 300 mm long
- SWE** – with external door closer GEZE 4000
- SWI** – with internal door closer GEZE 4000
- DH** – with "Door holder" DIN81406A
- LM** – with limit – switch LM-10D
- CM** – covered mechanism



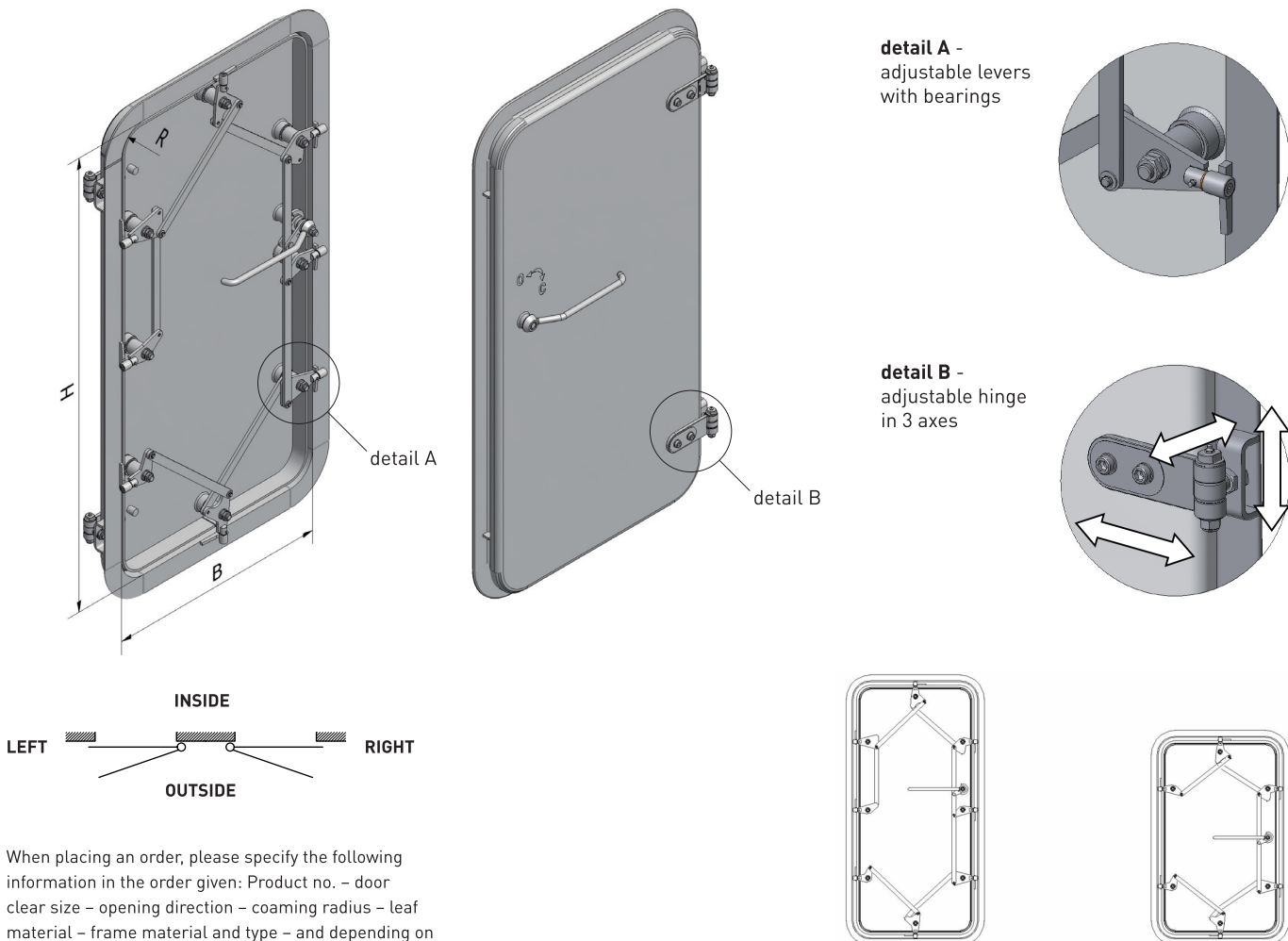
Cut out in bulkhead and overall dimensions acc. coaming type and radius.

coaming / R	R100	R30	R0	overall dimensions
angled coaming STK / ALK / ZNK / SSK	H1=H+40 B1=B+40 R'=120	H1=H+40 B1=B+40 R'=50	H1=H+40 B1=B+40 R'=0	H'=H+150 B'=B+150
flat bar coaming STP / ALP / ZNP / SSP	H1=H+20 B1=B+20 R'=110	H1=H+20 B1=B+20 R'=40	H1=H+20 B1=B+20 R'=0	H'=H+62 B'=B+62

# TECHNICAL SPECIFICATION

1	<b>coaming material</b>	steel (ST)	stainless steel (SS)	aluminum (AL)
2	<b>coaming profile</b>	flat bar 70x8 (P)	angled bar 75x50x8 (K)	-
3	<b>coaming radius</b>	R100	R30	R0
4	<b>door leaf material</b>	steel (ST)	stainless steel (SS)	aluminum (AL)
5	<b>opening mechanism material</b>	zinc	stainless steel*	-
6	<b>hinges qty</b>	2 pcs.	3 pcs.*	-
7	<b>surface treatment</b>	standard painting	custom RAL color*	-
8	<b>insulation</b>	none	30mm thickness mineral wool*	-
9	<b>window</b>	none	window or scuttle	window or scuttle with cover*
10	<b>opening direction acc. to ISO 6049</b>	left opening door (LO)	right opening door (RO)	-
11	<b>special purpose</b>	bolted frame 75x50x8 (BF)	gas tight (G)	-

\*optional



When placing an order, please specify the following information in the order given: Product no. – door clear size – opening direction – coaming radius – leaf material – frame material and type – and depending on customer's needs: door finish version – type of lock – accessories

Example:  
**BOH.0135.I – 1800x800-RO-R100-ST-STK**