
TOP AND SIDE HINGED INNER WINDOWS

NOISE REDUCTION WINDOWS



CHARACTERISTICS

The structure is intended for interiors as a cover for a ship window or porthole. Windows can be used in places with limited space owing to the leaf which opens upward. This window in combination with sound absorbing glass ensures perfect acoustic insulation in areas with a high noise level by reducing its emission outside the unit. Windows can be equipped optionally with assisted opening and closing based on gas springs. The hardware applied in such windows provides multi-point opening of the leaf. The frame-integrated element used to mask the connecting point between the wall structure or BOHAMET window casing ensures very quick installation, while retaining aesthetic qualities.

Inner windows are available as inward or outward opening.



Material:

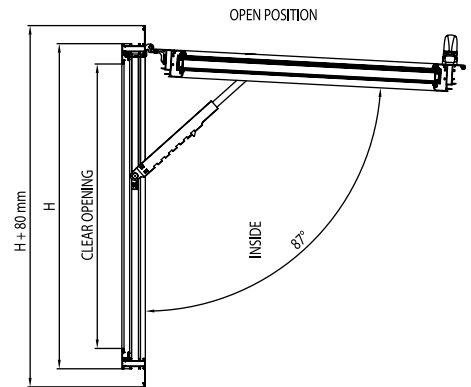
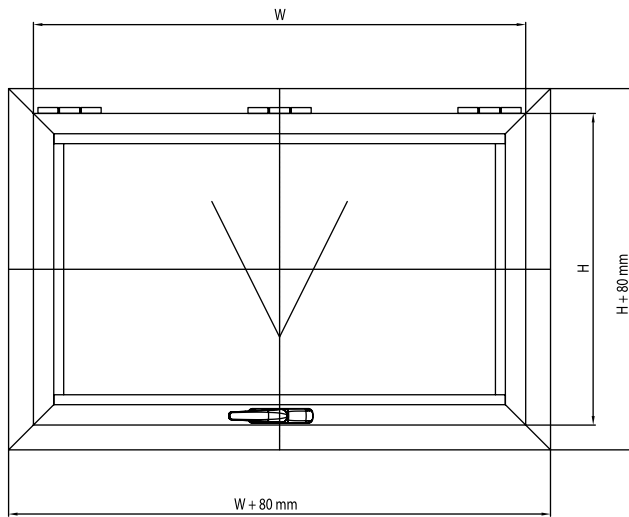
aluminum ENAW-6060 T66, acc. to EN 755-2, EN 573.

Surface treatment:

powder painting – RAL and NCS colours; anodizing.

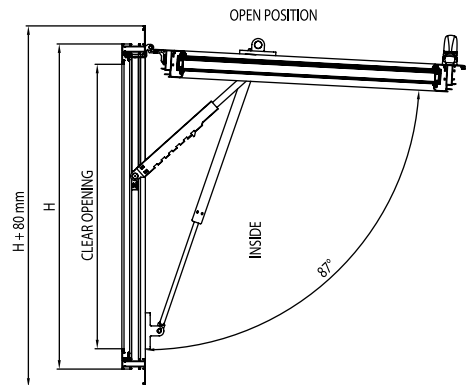
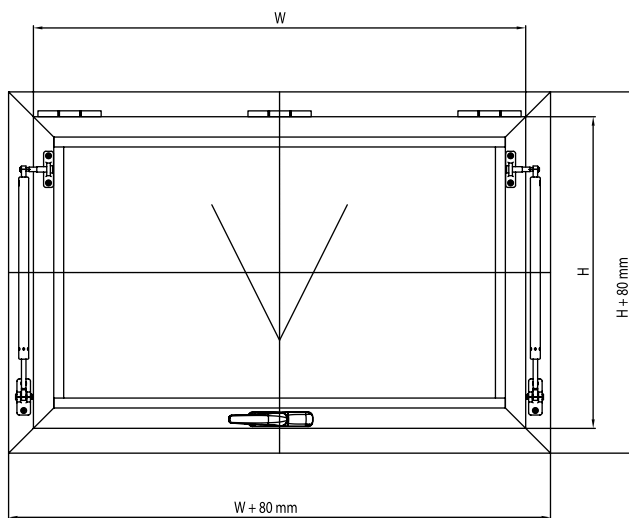
TOP / SIDE HINGED INNER WINDOWS DETAILS

TOP HINGED **INNER WINDOW** WITHOUT GAS SPRING



W - window width
H - window height

TOP HINGED **INNER WINDOW** WITH SUPPORTING GAS SPRING



W - window width
H - window height